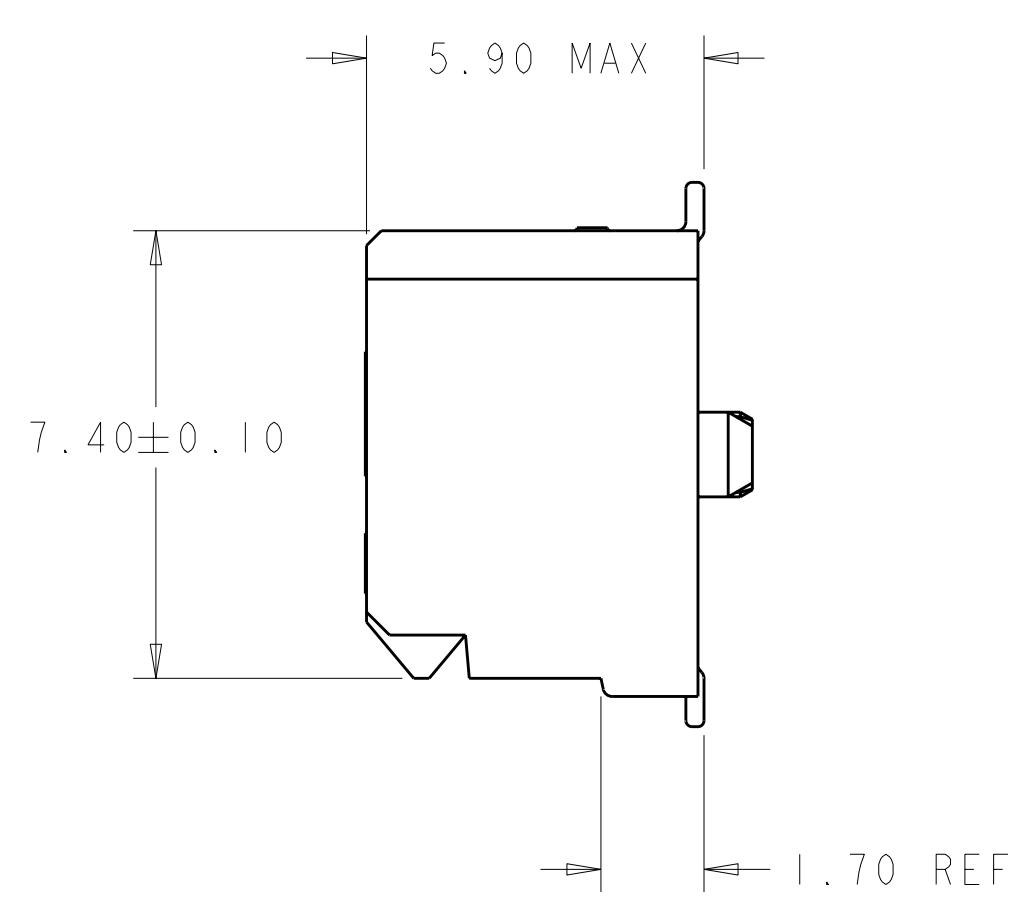
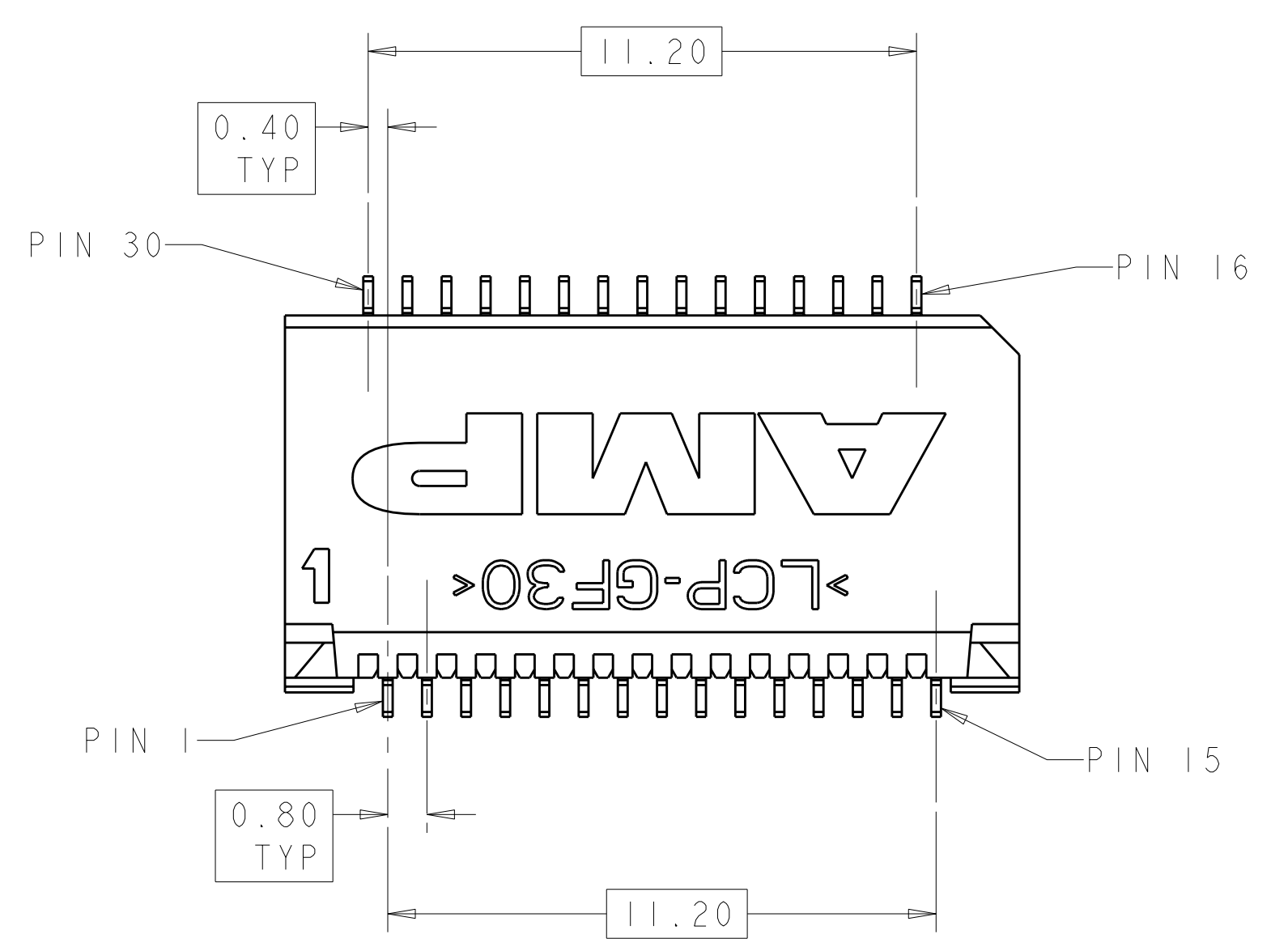
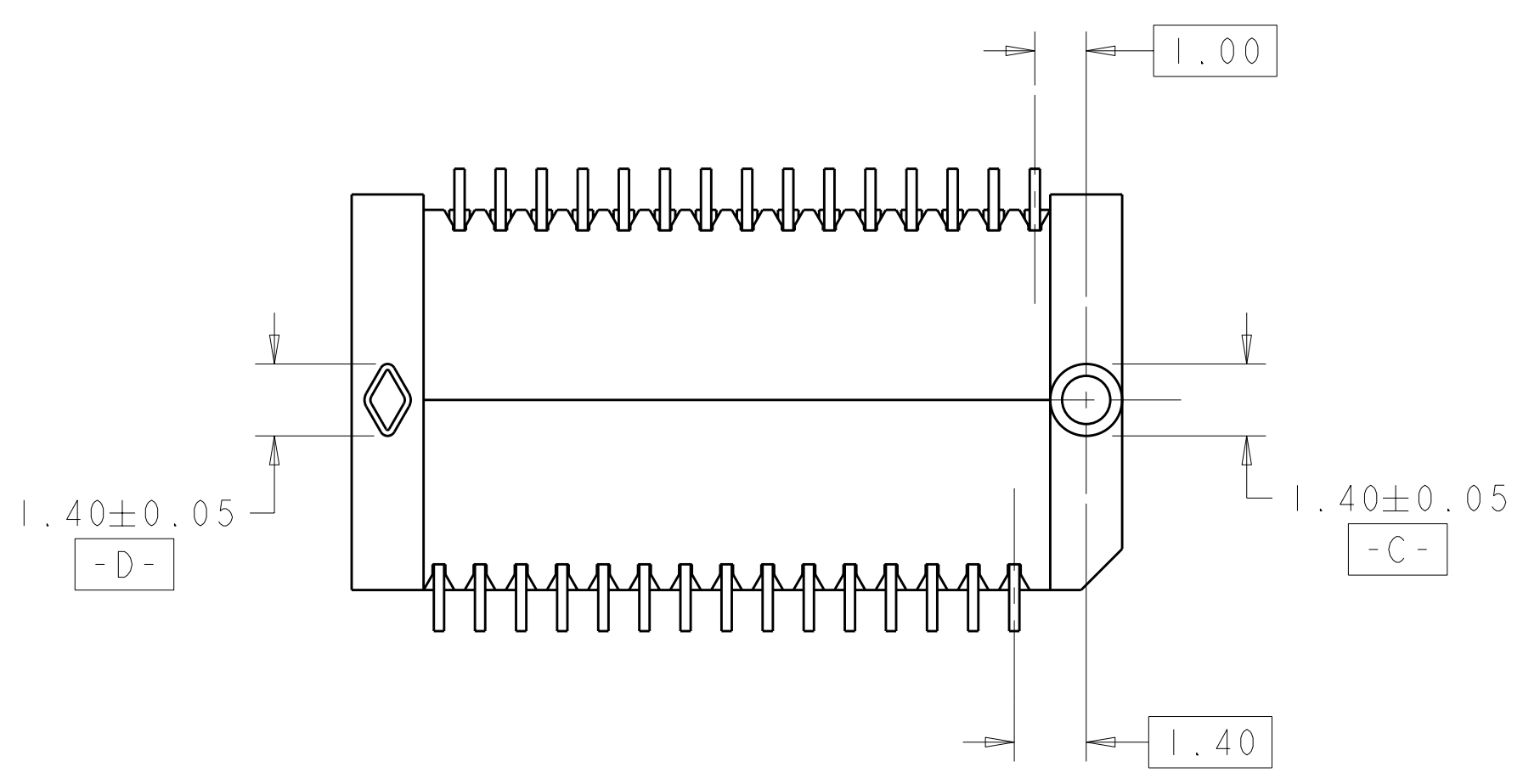
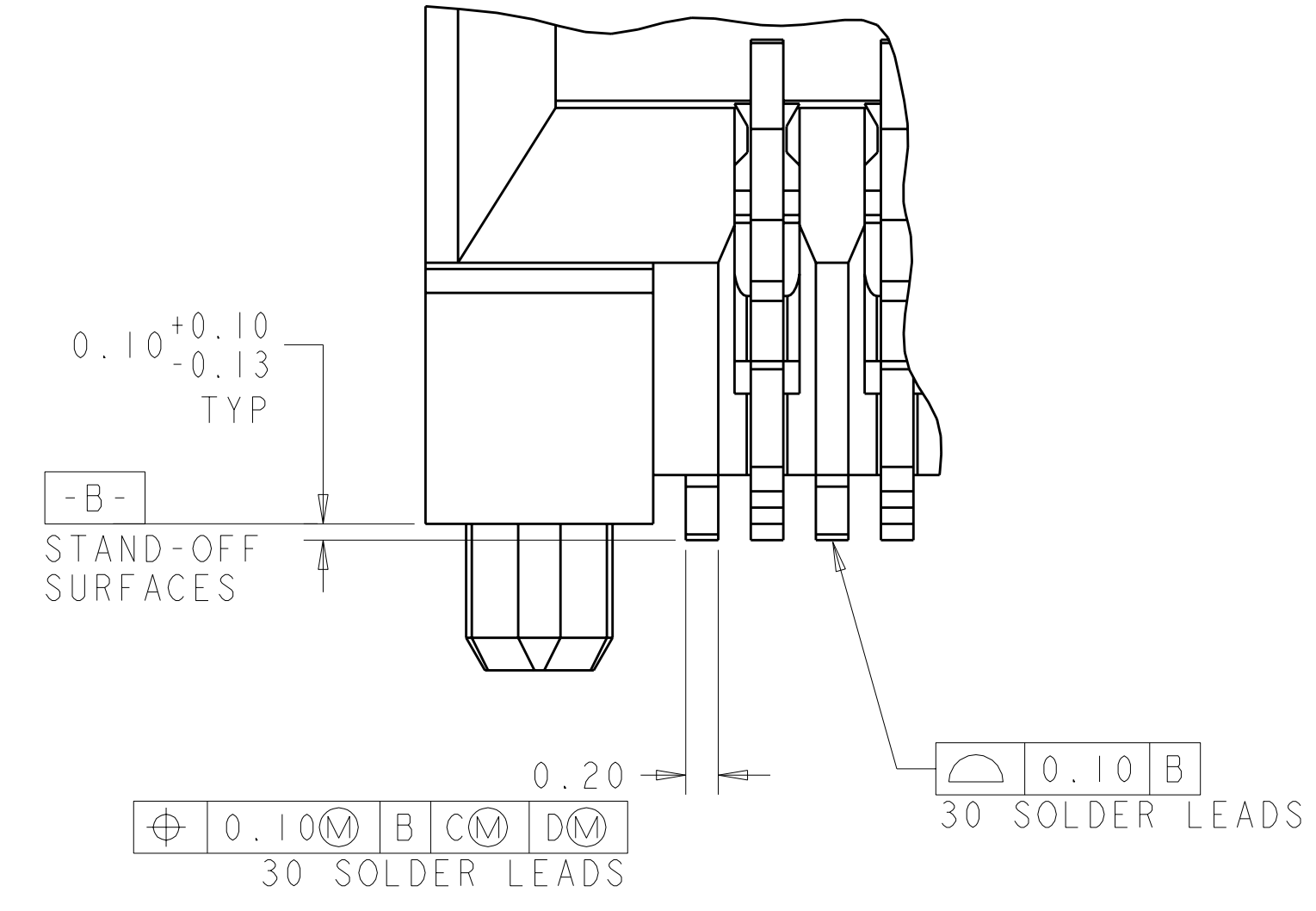
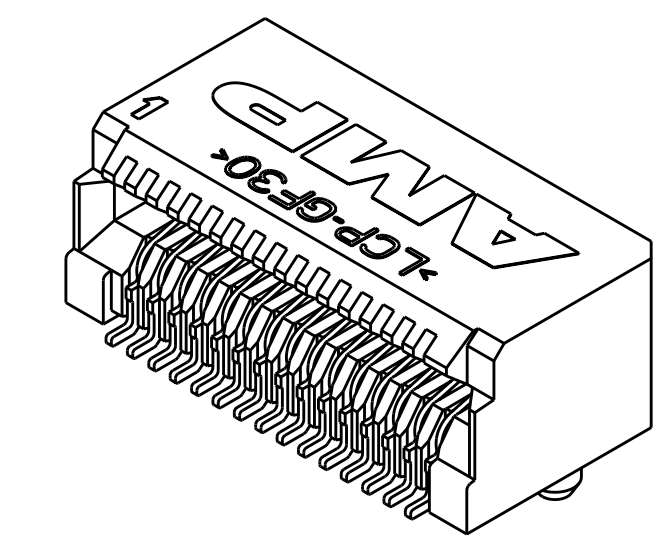
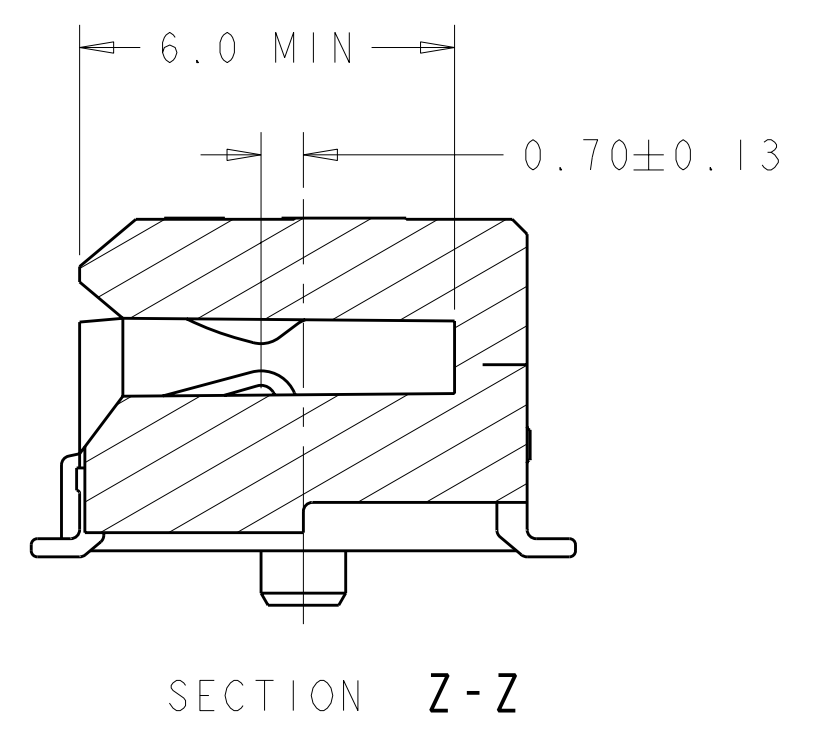
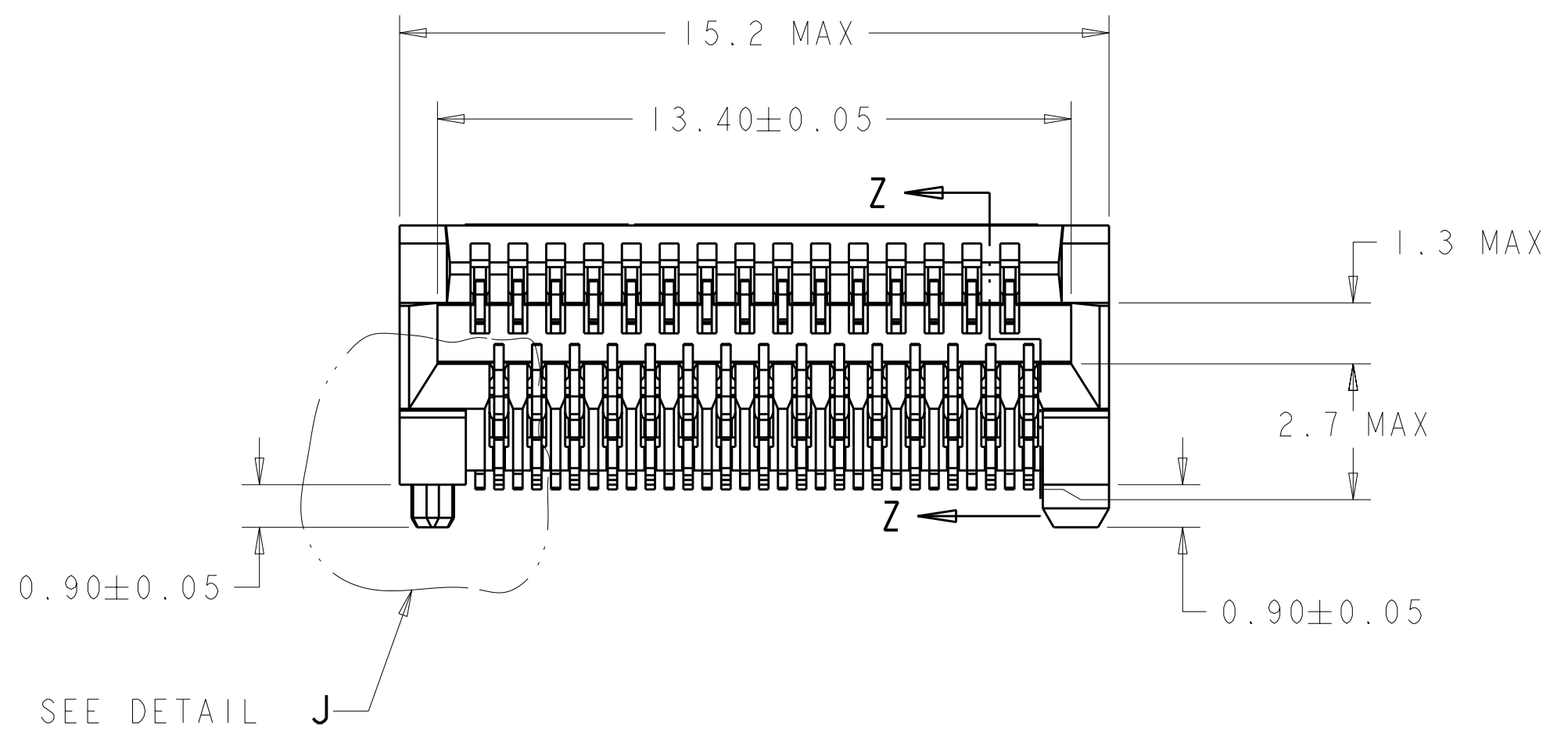


LOC	DIST	REV	DATE	BY	APPD
ES	00				
REVISIONS					
D		REVISED PER EC 0513-0220-05	22FEB06	BM	SS
E		REVISED PER ECO-06-011603	15NOV06	BM	SS
F		REVISED PER ECR-07-003740	27FEB07	ML	SY
G		REVISED PER ECR-07-025522	25OCT07	LL	SY



- PART COMPATABLE WITH XFP MSA. REFER TO THE SFP MSA FOR DIMENSIONS NOT SHOWN ON THIS PRINT.
- HOUSING: HIGH TEMPERATURE LCP, UL 94V-0 RATED, BLACK. CONTACT: PHOSPHOR BRONZE.
- CONTACTS: 0.00038 MIN GOLD IN CONTACT AREA, 0.00013 MIN GOLD ON SOLDER AREA, OVER 0.0038 MIN NICKEL UNDERPLATE ON ENTIRE CONTACT.
- PACKAGED PIECES PER REEL.
- GROUND, POWER AND SIGNAL PAD ARRANGEMENT TO BE DETERMINED BY CUSTOMER.
- DATUMS AND BASIC DIMENSIONS ESTABLISHED BY CUSTOMER.
- CONTACTS: 0.00076 MIN GOLD IN CONTACT AREA, 0.00013 MIN GOLD ON SOLDER AREA, OVER 0.0038 MIN NICKEL UNDERPLATE ON ENTIRE CONTACT.
- SOLDER MASK KEEP OUT AREA.
- CONTACTS: 0.00127 MIN GOLD IN CONTACT AREA, 0.00013 MIN GOLD ON SOLDER AREA, OVER 0.0038 MIN NICKEL UNDERPLATE ON ENTIRE CONTACT.



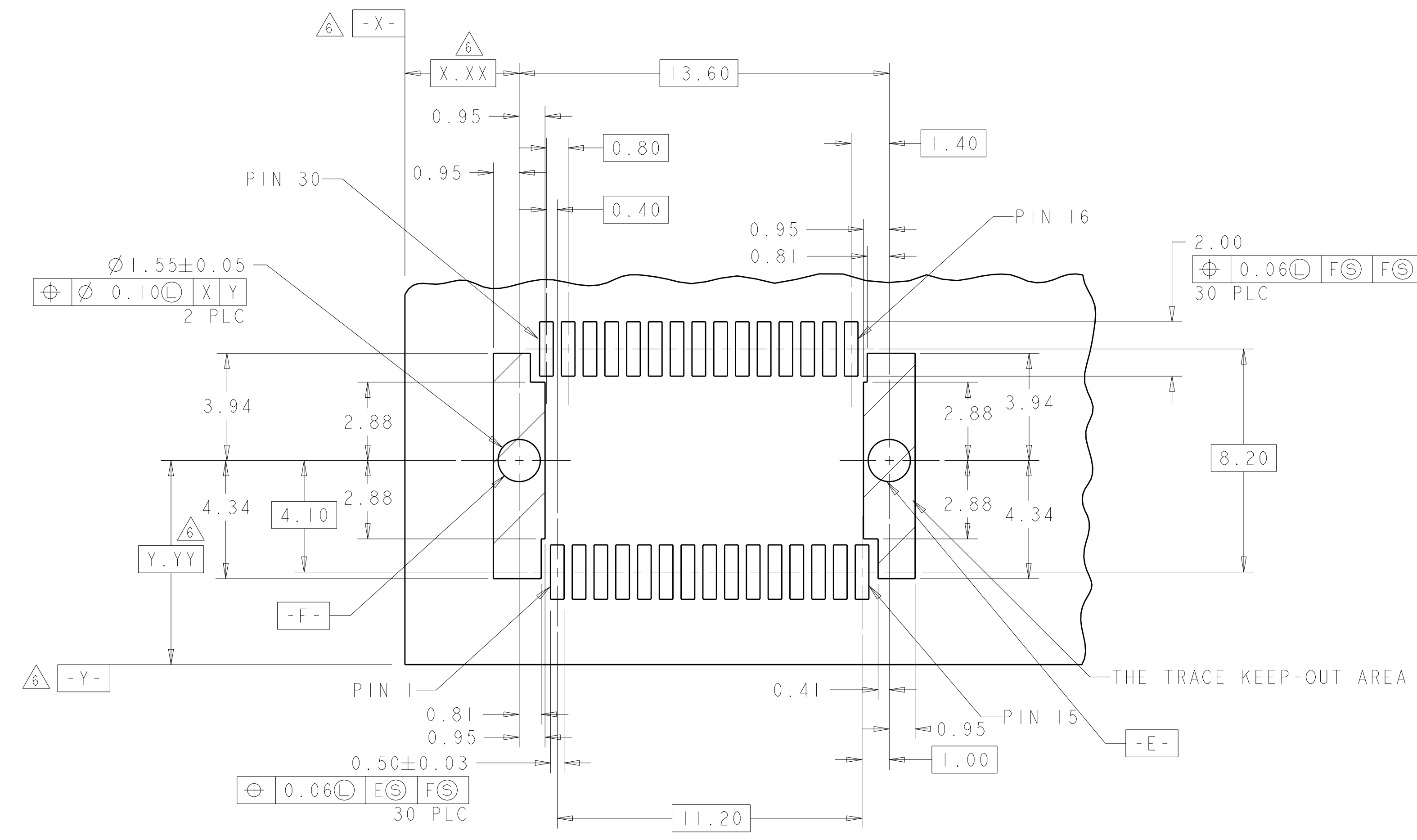
FINISH	PART NUMBER
9	788862-3
7	788862-2
3	788862-1

DIMENSIONS:		TOLERANCES UNLESS OTHERWISE SPECIFIED:		DWN		Tyco Electronics	
mm	9 PLC ±	0.10	±	J. GERACE	15JAN02	Tyco Electronics Corporation Shanghai, P.R.China, 200233	
	1 PLC ±	0.10	±	J. KOPPENHEFFER	15JAN02	NAME	
	2 PLC ±	0.10	±	M. WALMSLEY	15JAN02	PT CONNECTOR ASSEMBLY, 30 POSITION, XFP, RTANG, 0.8MM PITCH	
	3 PLC ±	0.10	±			PRODUCT SPEC	
	4 PLC ±	0.10	±			APPLICATION SPEC	
	ANGLES ±	0.10	±			SIZE CAGE CODE DRAWING NO	
		0.10	±			RESTRICTED TO	
MATERIAL	FINISH	0.10	±			A100779C=788862	
		0.10	±			CUSTOMER DRAWING	
		0.10	±			SCALE 8:1 SHEET 1 OF 2 REV G	

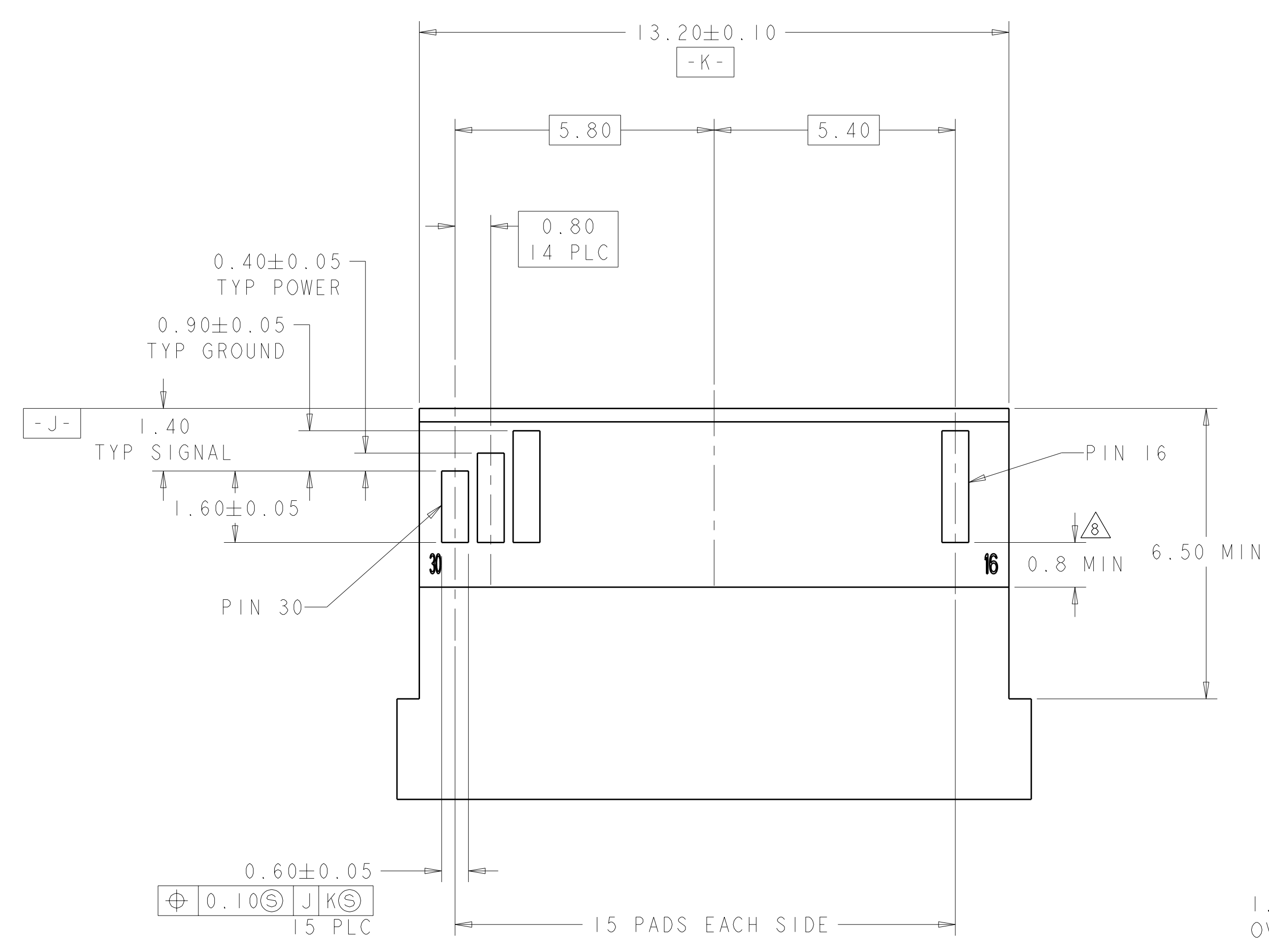
LOC	DIST	REV	DATE	BY	APPD
ES	00				

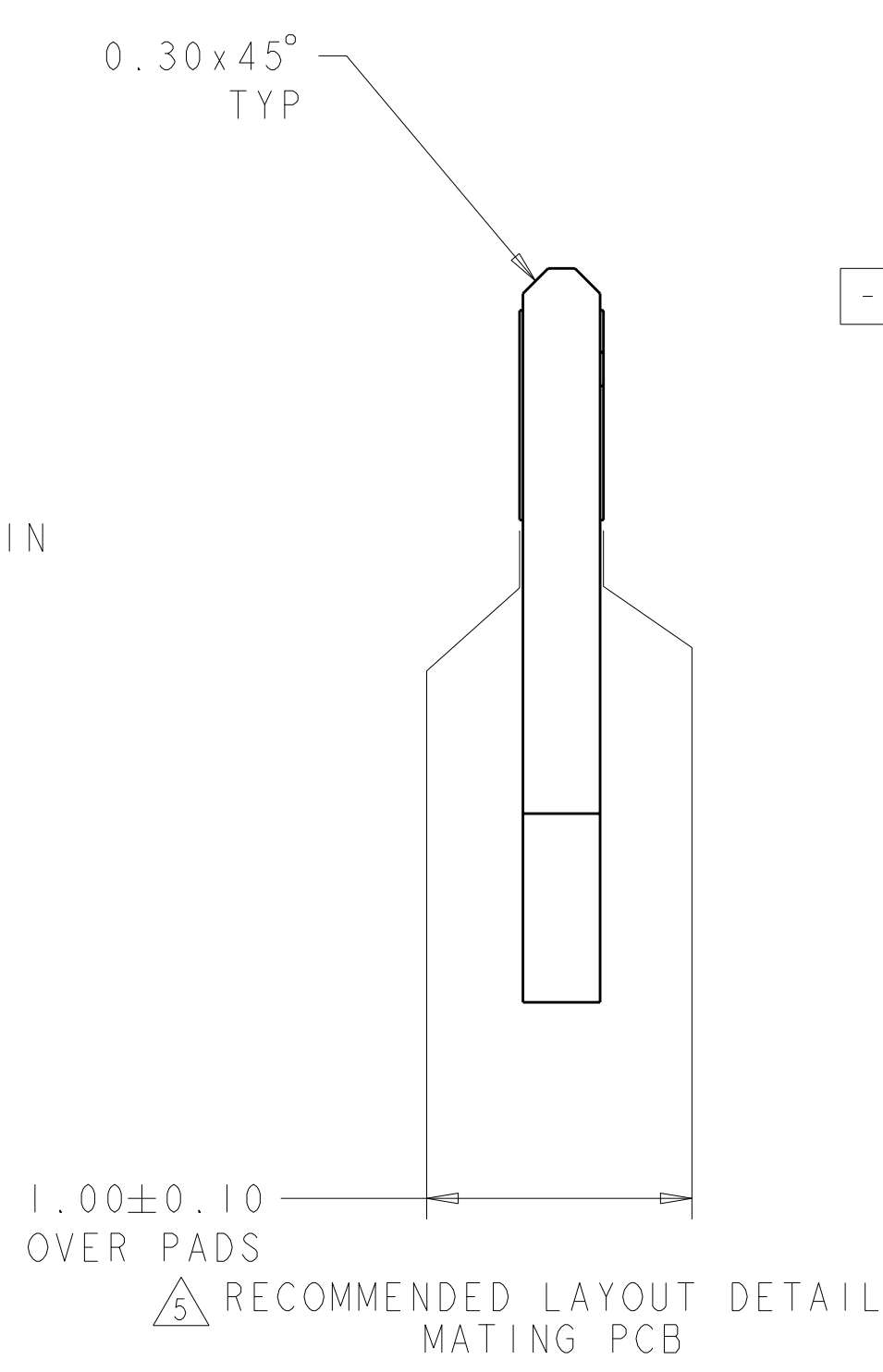
REVISIONS			DATE	BY	APPD
-	SEE SHEET 1				



RECOMMENDED PCB LAYOUT DETAIL  
 CONNECTOR MOUNTING SIDE  
 SCALE 8:1

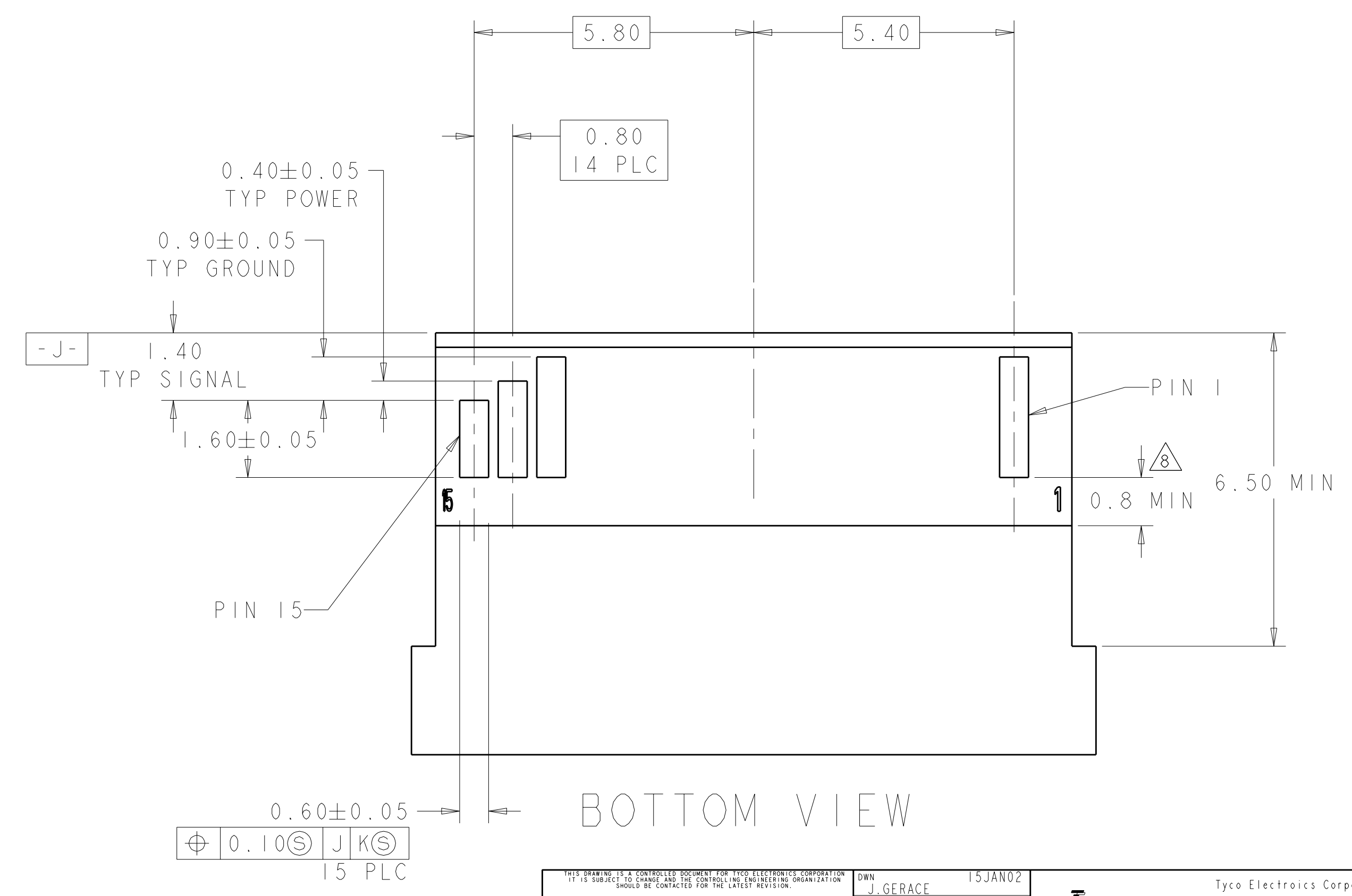


TOP VIEW



RECOMMENDED LAYOUT DETAIL  
 MATING PCB

SCALE 12:1



BOTTOM VIEW

DIMENSIONS: mm 		TOLERANCES UNLESS OTHERWISE SPECIFIED: 9 PLC ± 1 PLC ±0.10 2 PLC ± 3 PLC ± 4 PLC ± ANGLES ±		DWN J. GERACE 15JAN02 CHK J. KOPPENHEFFER 15JAN02 APVD M. WALMSLEY 15JAN02 PRODUCT SPEC 108-1949 APPLICATION SPEC 114-13017 WEIGHT CUSTOMER DRAWING		Tyco Electronics Corporation Shanghai, P.R.China, 200233 NAME PT CONNECTOR ASSEMBLY, 30 POSITION, XFP, RTANG, 0.8MM PITCH SIZE CAGE CODE DRAWING NO RESTRICTED TO A1100779C=788862 SCALE 8:1 SHEET 2 OF 2 REV G	
-----------------------	--	---	--	---	--	--	--